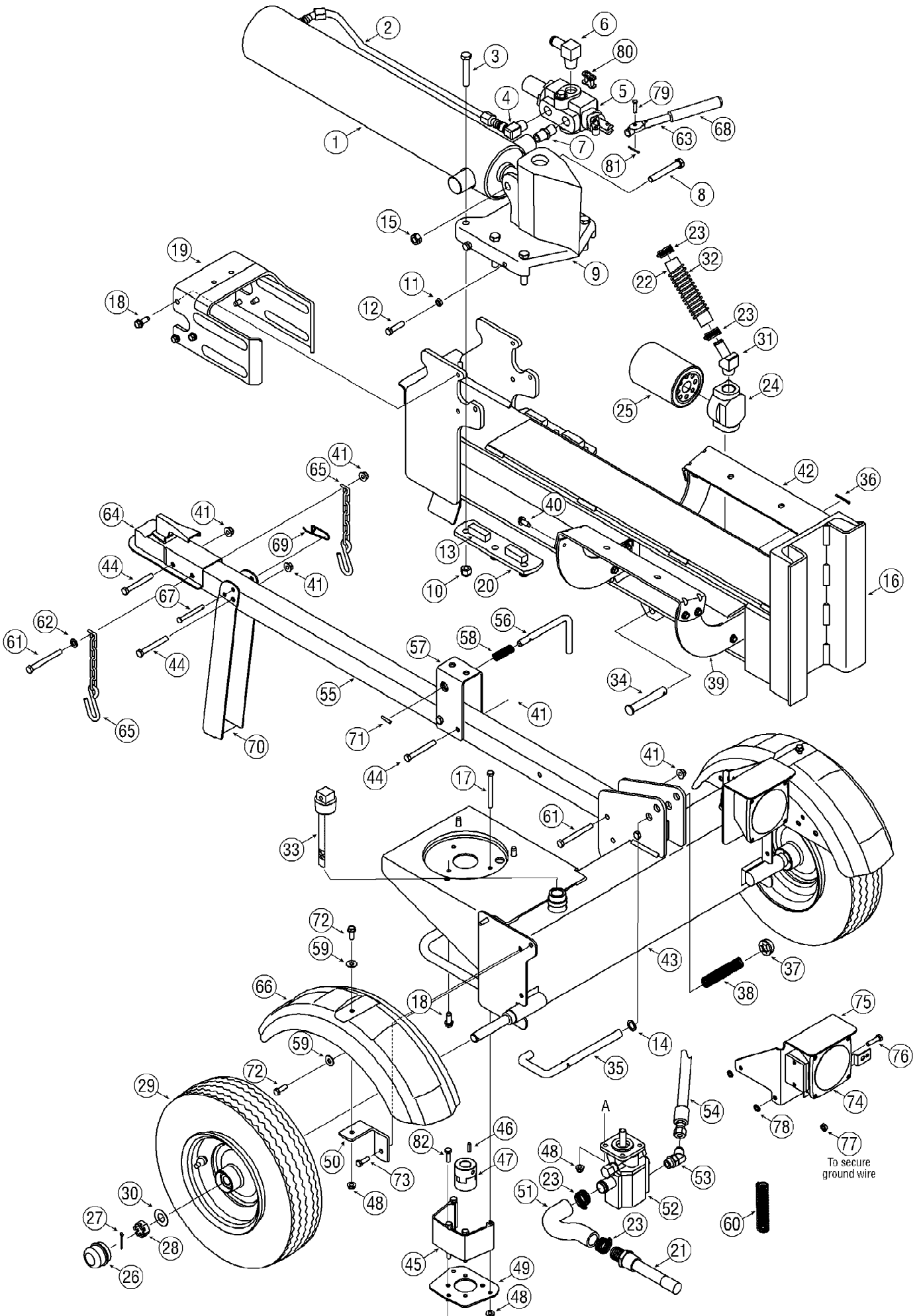


24BF510B090 21-Ton (2007)  
General Assembly

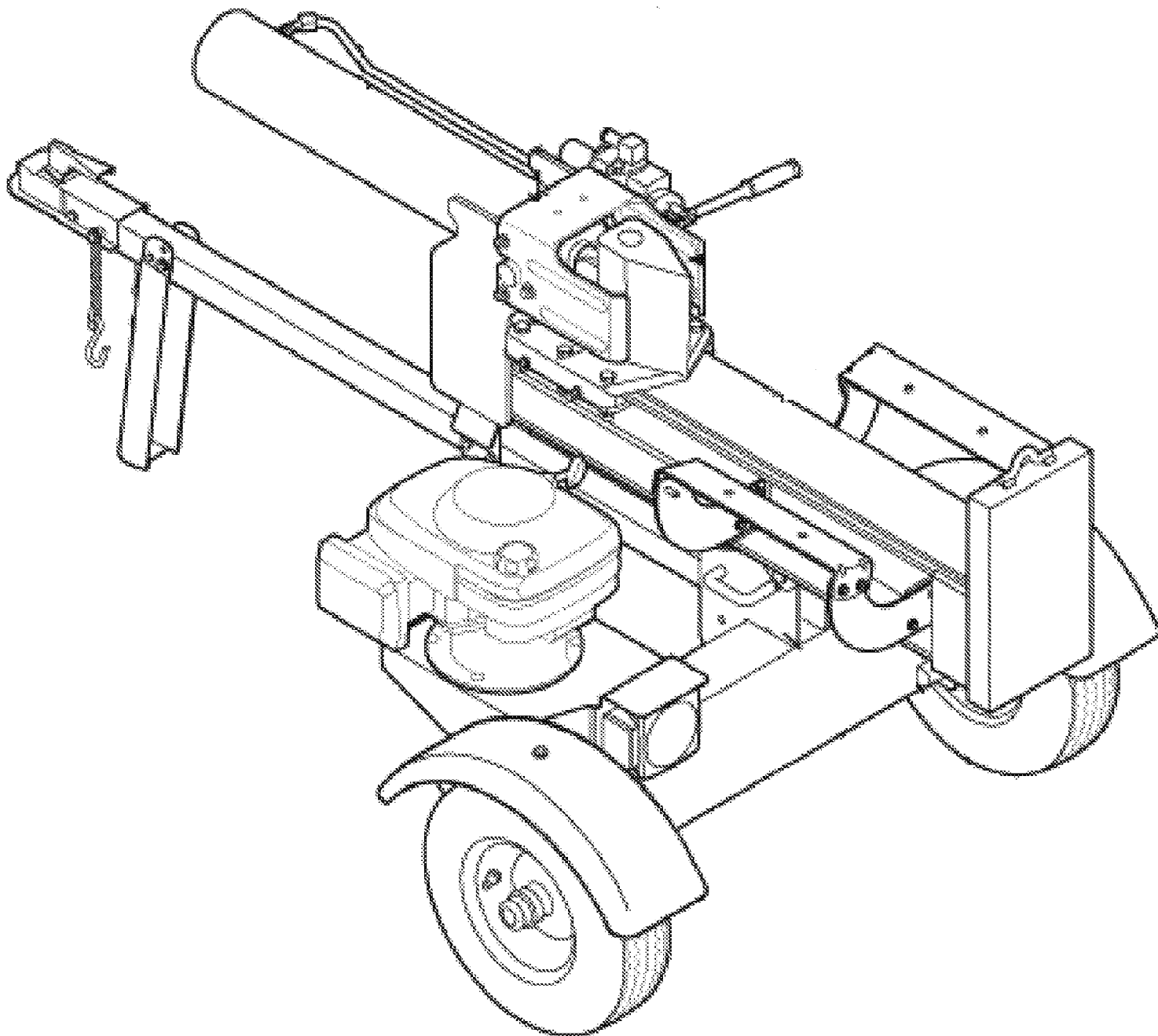


24BF510B090 21-Ton (2007)  
General Assembly

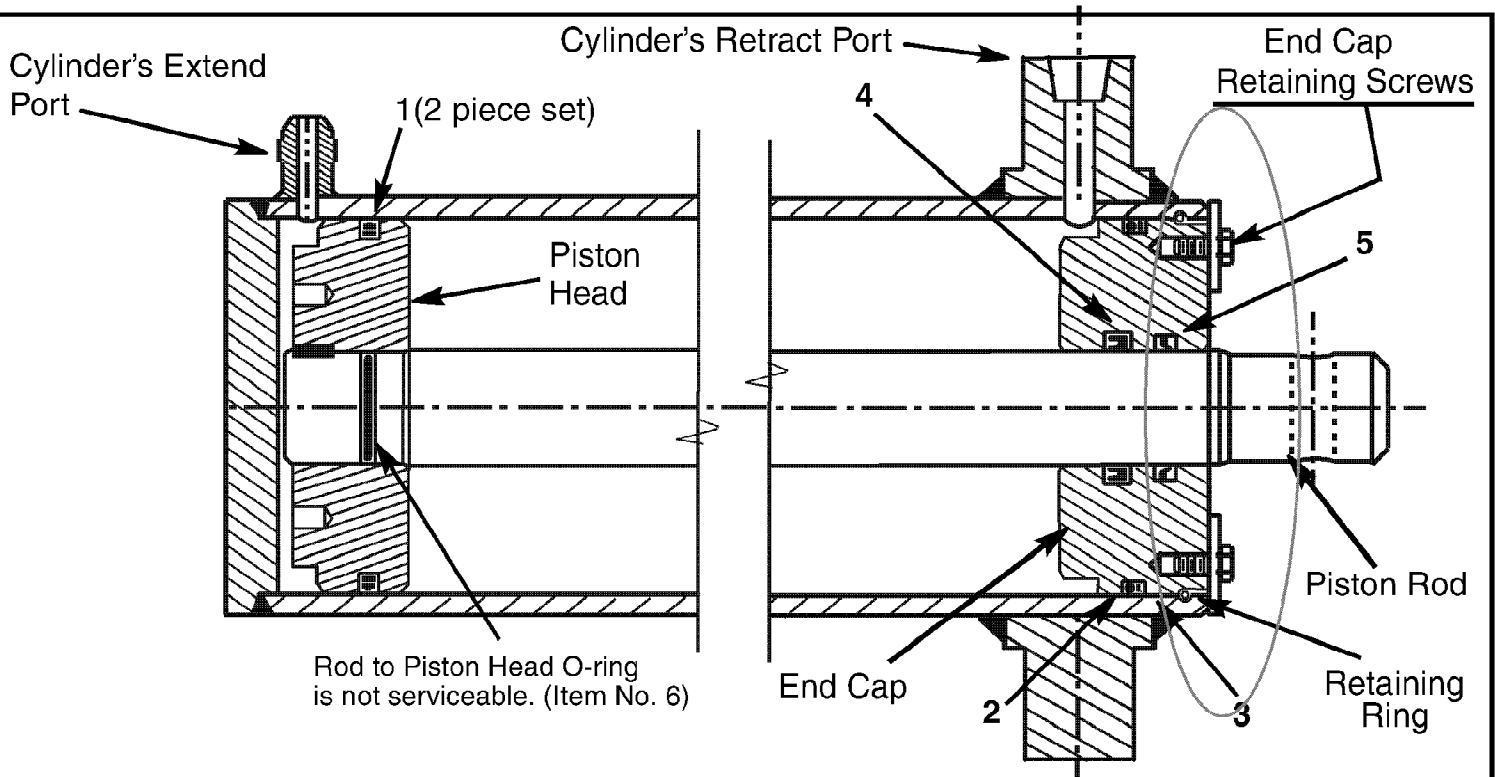
Page 2 of 9

Ref #	Part Number	Qty	S/P/F	Description
1	918-0769A	1	/P	Hydraulic Cylinder 718-0769A
1	953-05607	1	/P	Kit Seal 4.5" for XINGHUI cylinder 718-0769A See Service Kit 753-05607
1	953-05608	1	/P	Kit Seal 4.5" for ENERGY cylinder 718-0769A See Service Kit 753-05608
2	727-04166	1		Hydraulic Tube
3	710-1018	1	/P	Hex Cap Screw 1/2-20 x 2.75
4	737-0192	1	/P	90 Degree Solid Adapter
5	918-0481A	1	/P	Control Valve
6	737-0153	1		Return Elbow
7	737-0238	1		Nipple Pipe 1/2-14
8	710-1806	1	/P	Hex Cap Screw 1/2-13 x 3.25
9	719-0550A	1	/P	Wedge Assembly
10	912-3058	1		Hex Lock Nut, 1/2-20
11	712-0711	1	/P	Hex Jam Nut 3/8-24
12	710-0459A	1	/P	Hex Cap Screw 3/8-24 x 1.5
13	781-0351	1	/P	Adjustable Gib
14	936-0116	1	/P	Flat Washer.635 x.93 x.06
15	712-3022	1	/P	Hex Lock Nut 1/2-13
16	681-04071A-0637	1	/P	Beam Assembly
17	710-3056	1		Hex Screw, 5/16-18 x 3.25
18	710-0654A	1	/P	Hex Washer Screw 3/8-16 x 1.0
19	781-1048A-0637	1	/P	Dislodger Bracket
20	781-0790-0637	1	/P	Back Plate
21	737-04093	1		Inlet Filter
22	727-0443	1		Return Hose 3/4" ID x 44" Lg.
23	726-0132	1	/P	Hose Clamp 5/8"
24	737-0316	1	/P	Filter Housing
25	723-0405	1	/P	Oil Filter
26	734-0873	1		Hub Cap
27	714-0162	1	/P	Cotter Pin
28	712-0359	1	/P	Slotted Nut 3/4-16
29	634-0186	1	/P	Wheel Assembly
29	941-0987	1	/P	Cone Bearing
29	921-0168	1	/P	Grease Retainer
30	936-0351	1	/P	Flat Washer.760 ID x.500 OD
31	737-0312	1		Adapter 3/4-14
32	781-0526A	1		Hose Guard If equipped
33	737-0348A	1	/P	Vented Dipstick
34	711-1587	1		Clevis Pin
35	781-0690	1		Lock Rod
36	914-0470	1	/P	Cotter Pin
37	726-0214	1	/P	Push Cap
38	732-0583	1		Compression Spring
39	781-04180-0637	1	/P	Log Tray Bracket
40	710-0650	1	/P	TT Screw, 5/16-18 x.875
41	712-04065	1	/P	Flange Lock Nut, 3/8-16
42	781-04179-0637	1	/P	Log Tray
43	981-04040A	1	S	Frame Assembly
44	710-0521	1	/P	Hex Bolt 3/8-16 x 3"
45	719-0353	1		Coupling Shield
46	714-0122	1		Screw 5/16" x.75

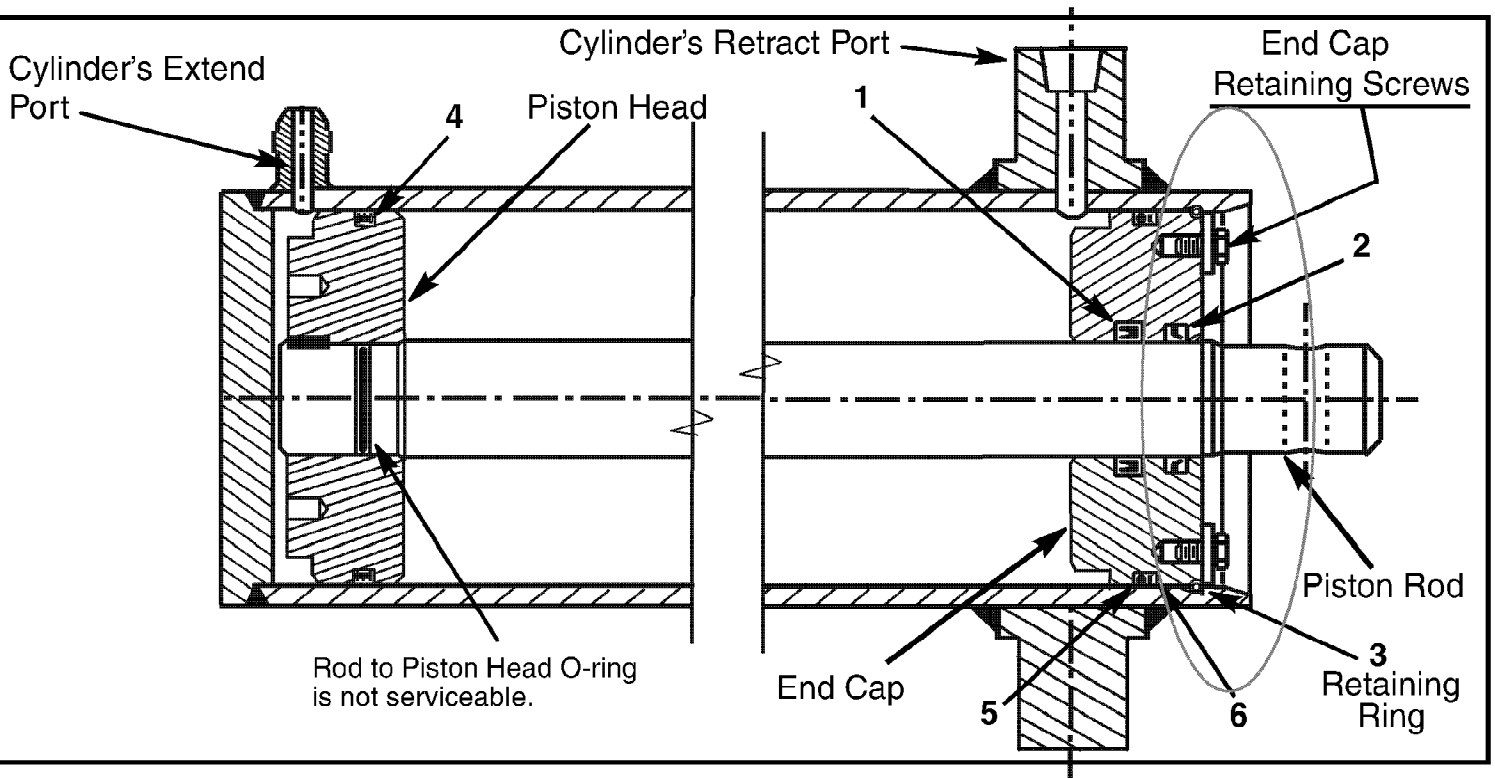
Ref #	Part Number	Qty	S/P/F	Description
47	918-04145	1	/P	Flexible Coupling
47	718-04392	1		Coupling, .5 Engine Side Not shown
47	718-04395	1		Coupling, .875 Pump Side Not shown
47	735-04103	1		Bushing, Spider Coupling Not shown
47	710-1842	1		Set Screw Not shown
48	712-04063	1	/P	Flange Lock Nut, 5/16-18
49	781-0097-0637	1	/P	Rear Coupling Support Bracket
50	781-1024-0637	1	/P	Fender Mounting Bracket
51	727-04130	1	/P	Hose
52	918-04127	1	/P	Gear Pump
53	737-0329	1		45 Degree Elbow Fitting
54	727-0502	1		High Pressure Hydraulic Hose
55	781-0788-0650	1		Tongue Assembly
56	747-1261	1		Latch Rod
57	781-1045-0650	1		Latch
58	932-3127	1	/P	Compression Spring
59	736-0371	1	/P	Flat Washer
60	781-0538A	1	/P	Hose Guard If equipped
61	710-3085	1	/P	Hex Cap Screw, 3/8-16 x 3.50
62	936-0185	1	/P	Flat Washer, .375 x.738 x.063
63	747-04539	1		Hydraulic Valve Control
64	681-04030	1		Hitch Coupling Assembly
65	713-0433A	1	/P	Chain
66	731-2496A	1		Fender (Black)
66	731-2499A	1	/P	Fender (Red)
67	911-0813	1	/P	Clevis Pin
68	720-04088	1	/P	Grip
69	732-0194	1		Spring Pin
70	781-0789-0650	1		Jack Stand
71	915-0120	1	/P	Spiral Pin
72	710-0650	1	/P	TT Screw, 5/16-18 x 0.875"
73	710-0602	1	/P	TT Screw, 5/16-18 x 1.00
74	625-0062	1		Light Kit If equipped
74	725-2058	1		Tail Light - RH Not Shown
74	725-2059	1		Tail Light - LH Not Shown
74	725-2060	1		Harness - Wire Not Shown
75	681-0164-0637	1	/P	Light Bracket - LH If equipped
75	781-1027A-0637	1	/P	Light Bracket - RH If equipped
76	710-0874	1	/P	Screw, 5/16-18 x 1.25 If equipped
77	912-3008	1	/P	Jam Nut, 3/8-16 If equipped
78	726-0201	1		Speed Nut, .3125 ID If equipped
79	711-04585	1		Clevis Pin
80	913-04036	1	/P	Valve Handle Link
81	914-0111	1	/P	Cotter Pin
82	710-0376	1	/P	Hex Screw, 5/16-18 x 1.00



Ref #	Part Number	Qty	S/P/F	Description
	759-3338	1	/P	Spark Plug
	BS-493537S	1	/P	Pre Filter
	BS-491588S	1	/P	Air Filter
	BS-298090S	1	/P	Fuel Filter
	723-0405	1	/P	Hydraulic Filter
	737-04093	1		Inlet Filter
	737-0348A	1	/P	Vented Dipstick
	918-04145	1	/P	Flexible Coupling
	781-0351	1	/P	Adjustable Gibbs
	NA	1		Belt
	747-04539	1		Hydraulic Valve Control
	720-04088	1	/P	Grip
	913-04036	1	/P	Valve Handle Link
	713-0433A	1	/P	Chain
	734-0873	1		Hub Cap
	634-0186	1	/P	Wheel Assembly



Ref #	Part Number	Qty	S/P/F	Description
1	N/A	1		Piston Seal: 2 piece set (White outer ring w/ black flat under ring) Not Available Separately
2	N/A	1		O-ring (Large, Black) Not Available Separately
3	N/A	1		Backup Ring (Black) Not Available Separately
4	N/A	1		Rod-Guide U-Cup (Dark Blue) Not Available Separately
5	N/A	1		Scraper: Rod (Black) Not Available Separately
6	N/A	1		O-ring (Small, Black) NOT USED Not Available Separately
7	N/A	1		INSTRUCTION SHEET Not Available Separately





Ref #	Part Number	Qty	S/P/F	Description
1	N/A	1		Zurcon U-Cup RU3 (Blue) Not Available Separately
2	N/A	1		Scraper DA17 (Black) Not Available Separately
3	N/A	1		Retaining-Ring (Metal) Not Available Separately
4	N/A	1		Zurcon Wynseal (Blue) Not Available Separately
5	N/A	1		O-Ring (Black) Not Available Separately
6	N/A	1		Back-up Ring (White) Not Available Separately
7	N/A	1		INSTRUCTION SHEET Not Available Separately